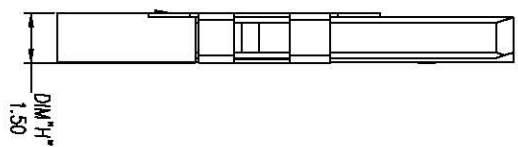
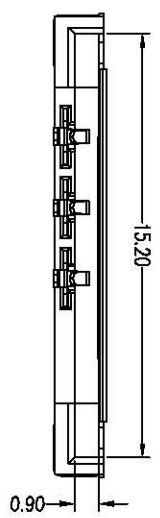
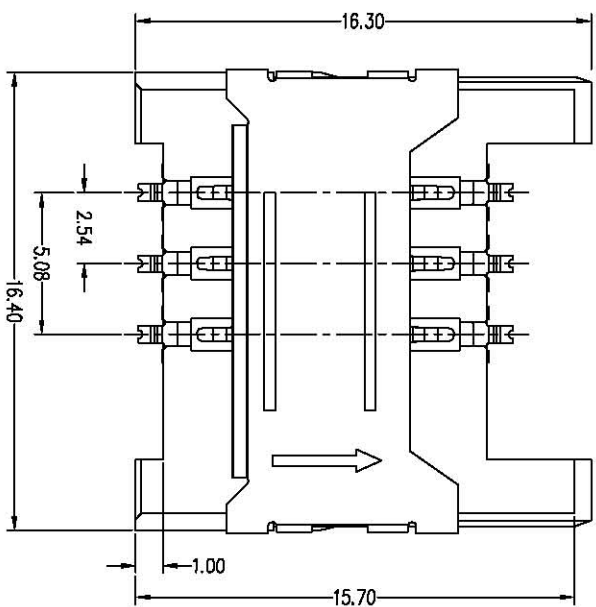
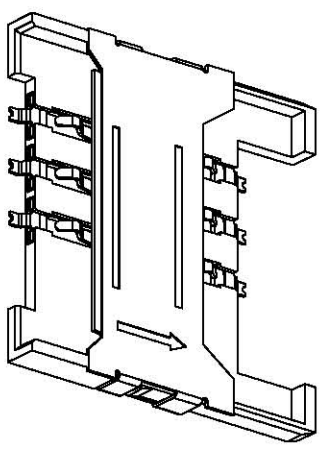
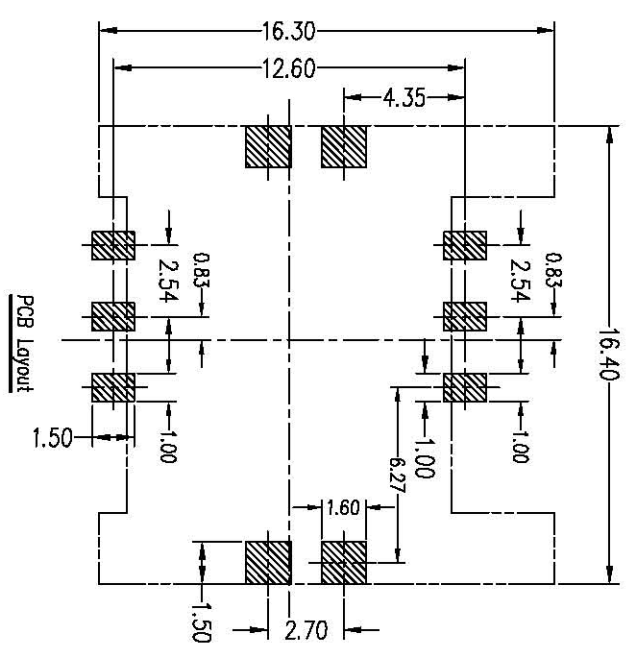


REV.	ECN NO.	LOCAS.	DESCRIPTION	DATE	DESIGN
A0			RELEASE TO CUSTOMER		HANG



- NOTES:
- RATING.
 - VOLTAGE: 12 VAC (rms)
 - CURRENT: 1 AMPERES MAX. PER CONTACT
 - OPERATION TEMPERATURE RANGE: -25°C~+70°C
 - ELECTRIC CHARACTERISTIC:
 - CONTACT RESISTANCE:60m
 - INSULATION RESISTANCE: 1000M
 - DIELECTRIC WITHSTANDING VOLTAGE:500V AC FOR 1 MINUTE
 - OPERATION LIFE: 10000 CYCLES



DIM	TOL	DIM	TOL
X.	±0.30	X.	±4.0°
X.X	±0.25	X.X	±3.0°
X.XX	±0.20	X.XX	±2.0°
X.XXX	±0.10	X.XXX	±1.0°

THIS DRAWING CONTAINS INFORMATION THAT IS PROVIDED BY LASER TECHNOLOGY AND SHOULD NOT BE USED WITHOUT WRITTEN PERMISSION

LASTAR

Lastar Technology CO., LTD

DRAW NO.	030-1516-0616	DATE		DRAW NAME:	SIM CARD CONN 6Pin H=1.5mm 有挡板
DESIGN	HANG	090505		P/N NO.	SIM-030-1516-0616
CHECK	WANGCM	090506		UNIT:	mm
APPROVED	HUYX	090506		SHEET:	N/A
				MODEL:	REV. A0
				SCALE	N/A