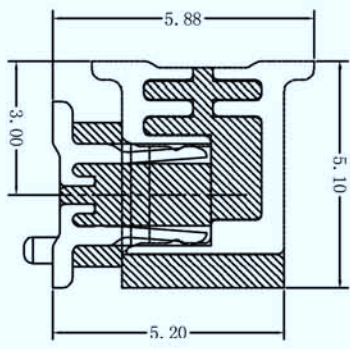
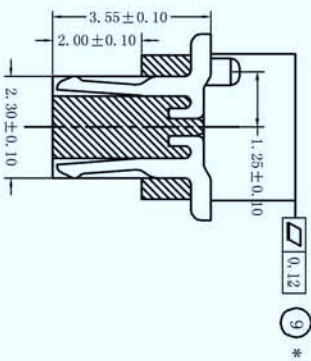
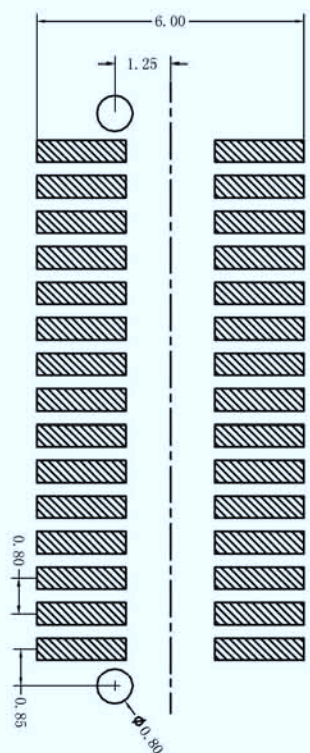
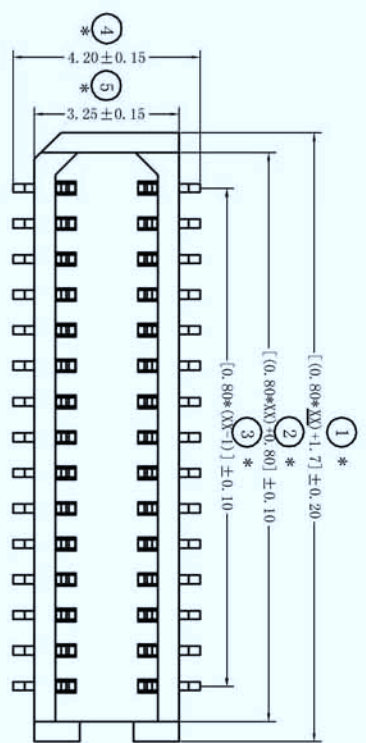
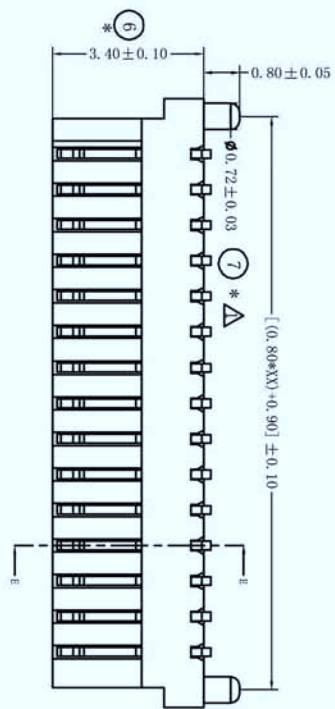
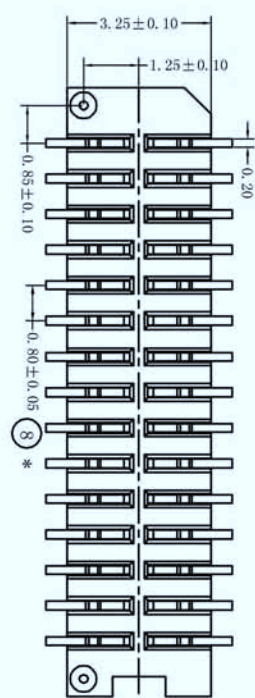


REV.	ECN NO.	LOCAS.	DESCRIPTION	DATE	DESIGN
A0					HANG



Electrical
Voltage: 50V AC(RMS)/DC
Current: 0.5A AC(RMS)/DC
Contact Resistance: 50m Ω max
Insulation Resistance: 50M Ω min
Dielectric Withstanding Voltage: 250VAC/RMS
Operating Temp: -20℃~+85℃
Materials
Housing: High temperature Plastic
UL 94V-0
Terminal: Copper Alloy

LASTAR
Lastar Technology CO., LTD

DRAW NO.	081-XX0-XX	DATE		DRAW NAME:	0.8mm Pitch Board To Board Plug 板插		
DESIGN:	HANG	060505		P/N NO.	BTB-081-XX0-XXZ1		
CHECK:	WANGCH	060506		UNIT:	SHEET:	MODEL:	
APPROVED:	HUYX	060506		mm	N/A		REV. A0 SCALE N/A